

KEY:

C — DETAIL LETTER
3 — SHEET

STEEL NOTES:

- ALL DESIGN, FABRICATION AND ERECTION OF STRUCTURAL STEEL SHALL CONFORM TO THE LATEST AISC SPECIFICATIONS DESIGN, FABRICATION, AND ERECTION OF COLD FORMED STEEL SECTIONS SHALL CONFORM TO THE LATEST AISI SPECIFICATIONS.
- STRUCTURAL MATERIALS:
WIDE FLANGE SECTIONS - ASTM A992 OR A572 GR 50 (Fy = 50 KSI)
ANGLES/CHANNELS - ASTM A36 (Fy = 36 KSI)
HOLLOW STRUCTURAL SECTIONS (TUBE) - ASTM A500 GR B (Fy = 46 KSI)
PIPE SECTIONS - ASTM A53, GR. B (Fy = 35 KSI)
PLATES - ASTM A36 (Fy = 36 KSI)
ROOF DECK - ASTM A653, GR. 40 (Fy = 40 KSI), GALVANIZED (G60) WITH BAKED ENAMEL FINISH
STEEL OUTRIGGERS - ASTM A653 GR. CS (Fy = 25 KSI), GALVANIZED (G90) PER ASTM 924
STRUCTURAL BOLTS - ASTM F3125 GR A325
ANCHOR BOLTS - ASTM F1554 GR. 55, (Fy = 55 KSI)
- WELDING OF STRUCTURAL STEEL SHALL BE IN ACCORDANCE WITH LATEST ANSI/AWS D1.1.
- FIELD CONNECTIONS SHALL BE BOLTED CONNECTIONS UNLESS SPECIFIED ON DRAWING.
- ALL STRUCTURAL BOLTED CONNECTIONS SHALL USE ASTM F3125 GR 325 BOLTS. BOLTED JOINTS SHALL BE TIGHTENED TO SNUG TIGHT PER LATEST RCSC SPECIFICATION.
- STRUCTURAL STEEL SHALL BE SHOP COATED WITH A RED-OXIDE RUST INHIBITIVE PRIMER. FIELD TOUCH-UP, FINISH PAINTING, AND MAINTENANCE SHALL BE THE RESPONSIBILITY OF THE OWNER (UNLESS OTHERWISE SPECIFIED).

Notice - Austin Mohawk & Co., LLC claims proprietary rights in the information disclosed on this drawing. It is issued in confidence for engineering information only and may not be used, in whole or in part, to manufacture anything whether or not shown hereon, reproduced or disclosed to anyone without direct written permission from Austin Mohawk LLC



AUSTIN MOHAWK & CO., LLC.
2175 BEECHGROVE PLACE
UTICA, NY 13501
PHONE: 315.793.3000
TOLL FREE: 1.800.765.3110
FAX: 315.793.9370
WEBSITE: www.austinmohawk.com
E-MAIL: info@austinmohawk.com

30'-0" X 36'-0" X 2 COLUMN CANOPY

SCALE: N.T.S. DRAWN BY: AJM

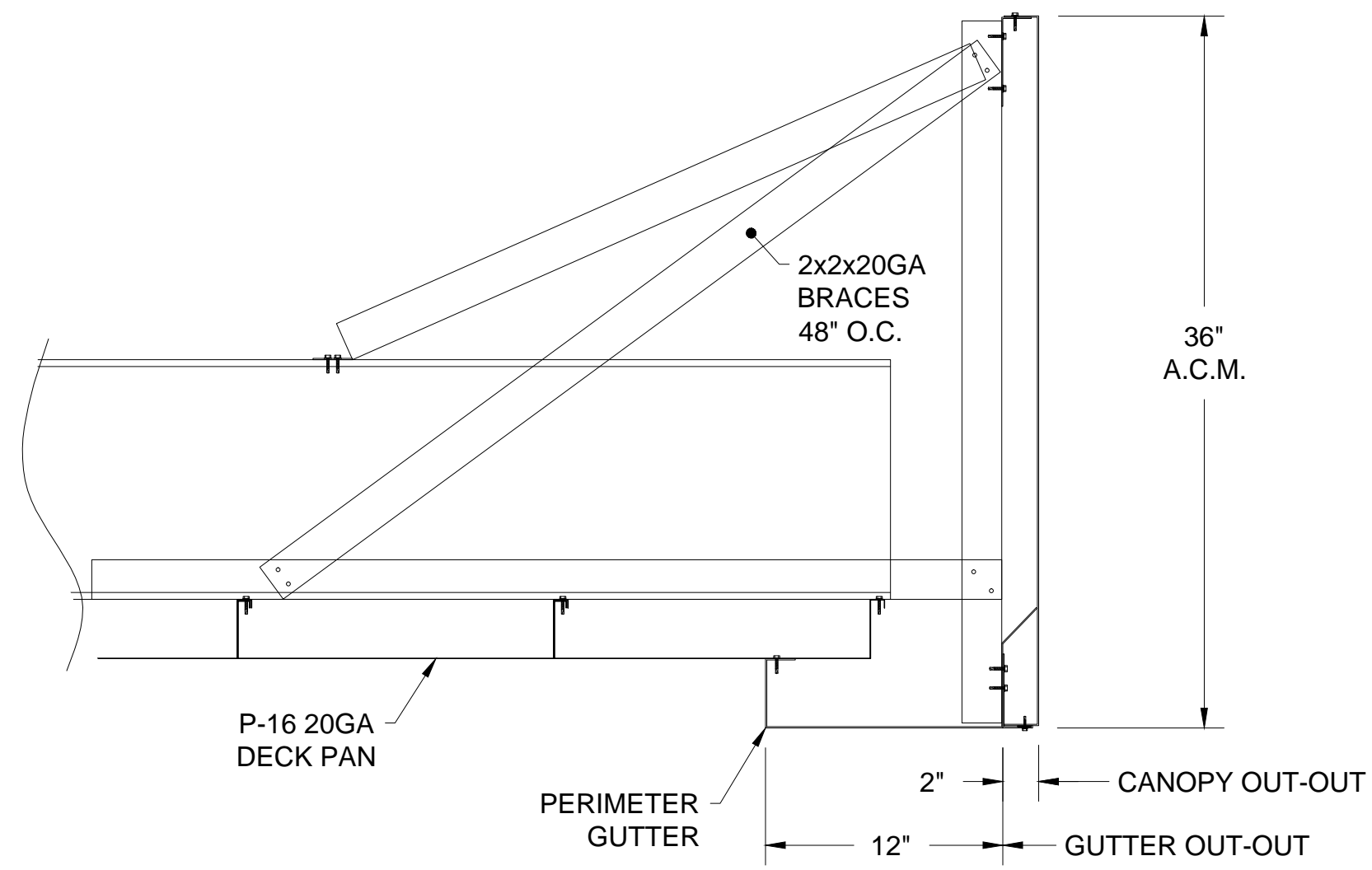
DATE: 7.30.21 SHEET: 1 OF 2

FOOTING SPECIFICATIONS:

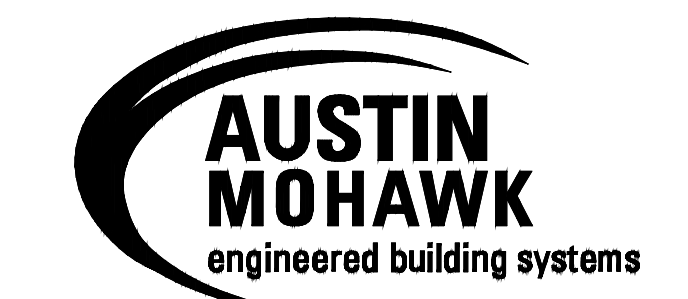
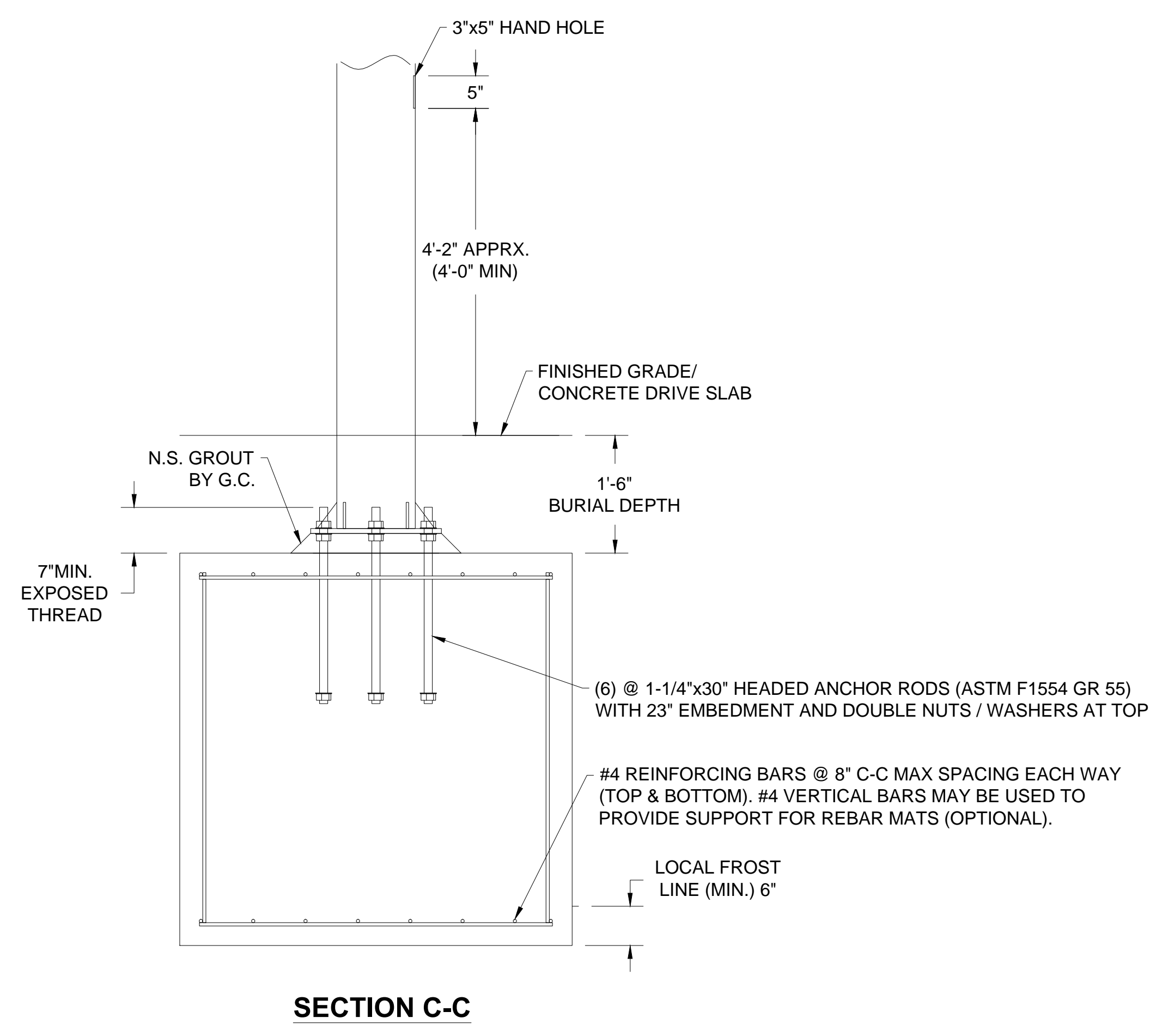
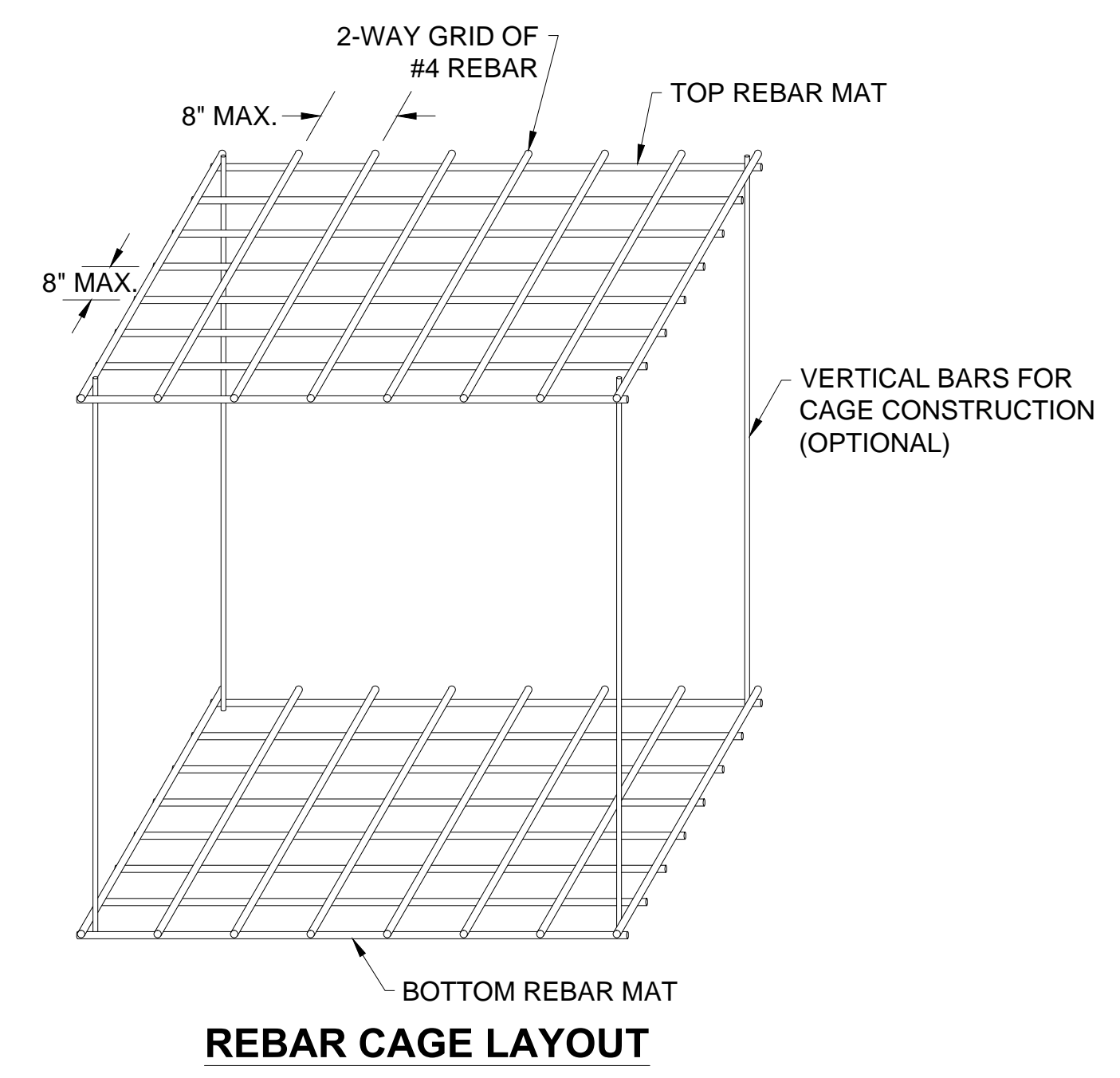
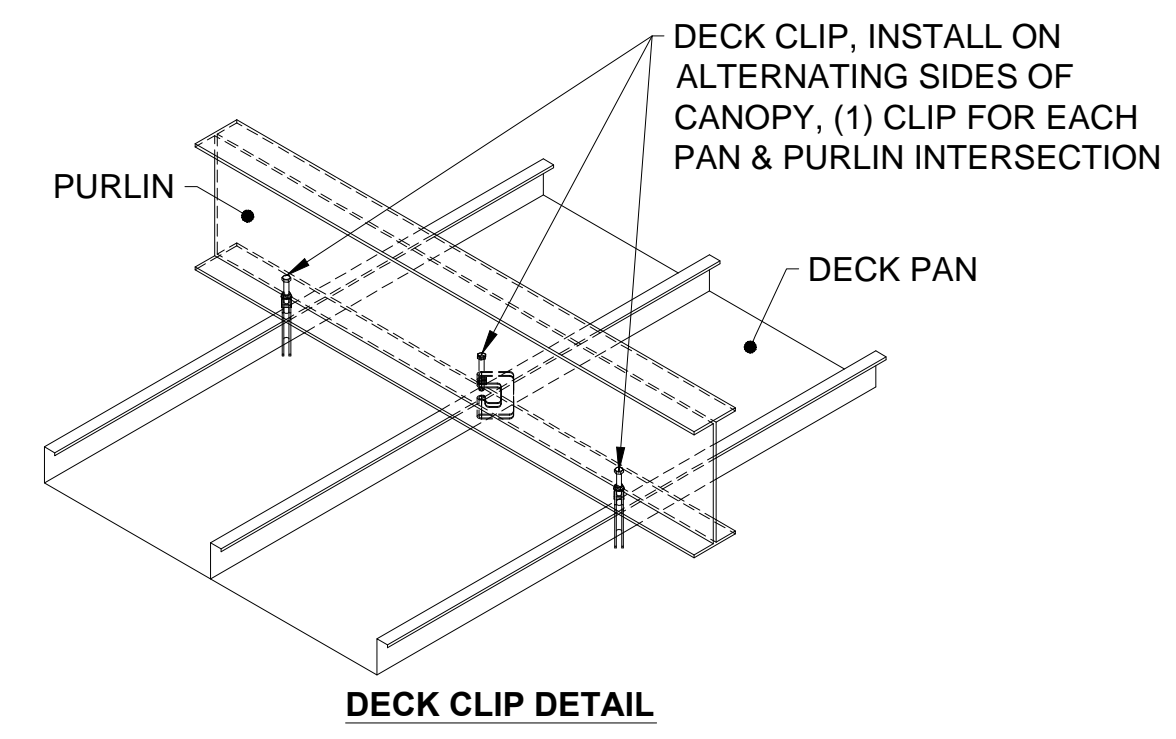
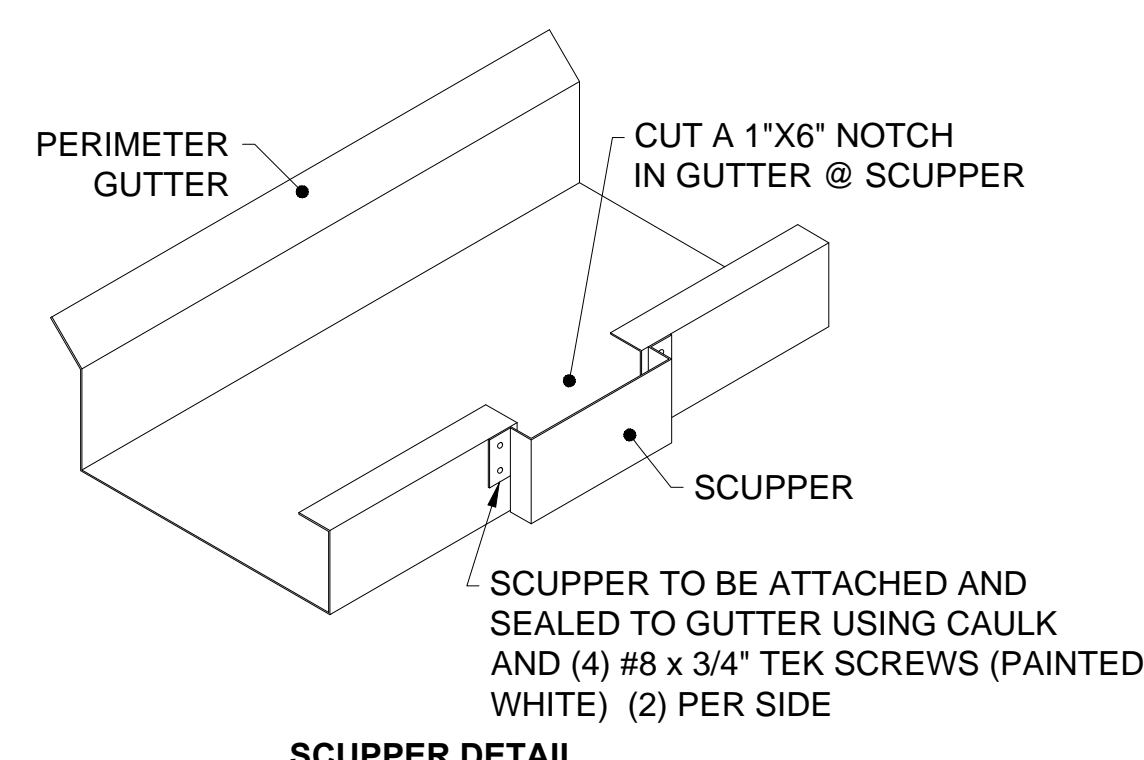
KEY:

C — DETAIL LETTER
3 — SHEET

- 1) OWNER / GENERAL CONTRACTOR SHALL BE RESPONSIBLE FOR FOOTING AND ANCHOR BOLT INSTALLATION
- 2) ALL FOOTINGS SHALL BE CAST ON LEVEL, UNDISTURBED SOIL OR ROCK OR PROPERLY COMPACTED SUBGRADE. BOTTOM OF FOOTING TO BE ABOVE WATER TABLE. FOOTING BASED ON MINIMUM 2,000 PSF SOIL BEARING CAPACITY AND 150 PSF PER FOOT OF DEPTH LATERAL BEARING CAPACITY. OWNER/GENERAL CONTRACTOR SHALL BE RESPONSIBLE FOR VERIFYING ALL SOIL PARAMETERS.
- 3) FOOTING CONCRETE SHALL HAVE A MINIMUM 28 DAY COMPRESSIVE STRENGTH OF 3000 PSI. FOOTING DESIGN SHALL BE IN ACCORDANCE WITH ACI 318.
- 4) THE TOPS OF ALL FOOTINGS MUST BE AT THE SAME ELEVATION. OWNER / GENERAL CONTRACTOR SHALL PROVIDE BURIAL DEPTH FROM HIGH GRADE UNDER CANOPY. WHERE THE TOP OF THE FOOTINGS ARE AT DIFFERENT ELEVATIONS, THE OWNER / GENERAL CONTRACTOR SHALL PROVIDE THE CANOPY MANUFACTURER WITH ALL FOOTING AND GRADE ELEVATIONS PRIOR TO CANOPY FABRICATION. VARIATIONS IN DESIGN ELEVATIONS MAY RESULT IN INADEQUATE CLEARANCE AND UNDER SIZED FOOTINGS.
- 5) OWNER / GENERAL CONTRACTOR SHALL BE RESPONSIBLE FOR PLACING NON-SHRINK GROUT UNDER ALL COLUMN BASES AFTER CANOPY IS LEVELED AND SECURED.
- 6) FOOTING REINFORCING STEEL SHALL BE ASTM A615 GRADE 60 DEFORMED BILLET STEEL BARS.
- 7) FOOTINGS ARE ASSUMED TO BE CONSTRAINED BY CONCRETE FUEL ISLAND AND /OR CONCRETE DRIVE SLAB AT GRADE. WHERE THIS CONDITION DOES NOT EXIST, THE OWNER SHALL NOTIFY CANOPY FABRICATOR.
- 8) ANCHOR BOLTS SHALL BE PLACED IN ACCORDANCE WITH THIS DRAWING. TEMPLATES SHALL BE USED TO ENSURE PROPER PLACEMENT OF ANCHOR BOLTS. ANCHOR BOLTS ARE TO BE INSTALLED SUCH THAT A MINIMUM OF 7" OF THREAD IS EXPOSED ABOVE TOP OF FOOTING. BOTTOM OF THREADS SHALL NOT END MORE THAN 3/4" ABOVE TOP OF FOOTER.



**DETAIL A:
30'-0" SIDE FASCIA BRACE DETAIL**



AUSTIN MOHAWK & CO., LLC.
2175 BEECHGROVE PLACE
UTICA, NY 13501
PHONE: 315.793.3000
TOLL FREE: 1.800.765.3110
FAX: 315.793.9370
WEBSITE: www.austinmohawk.com
E-MAIL: info@austinmohawk.com

30'-0" X 36'-0" X 2 COLUMN CANOPY

| | | | |
|--------|---------|-----------|--------|
| SCALE: | N.T.S. | DRAWN BY: | AJM |
| DATE: | 7.30.21 | SHEET: | 2 OF 2 |

Notice - Austin Mohawk & Co., LLC claims proprietary rights in the information disclosed on this drawing. It is issued in confidence for engineering information only and may not be used, in whole or in part, to manufacture anything whether or not shown hereon, reproduced or disclosed to anyone without direct written permission from Austin Mohawk LLC