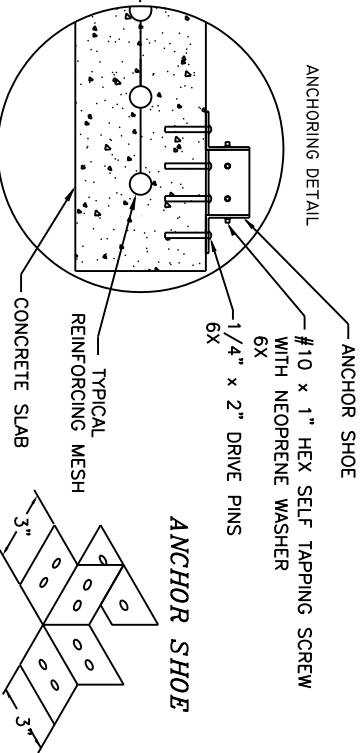
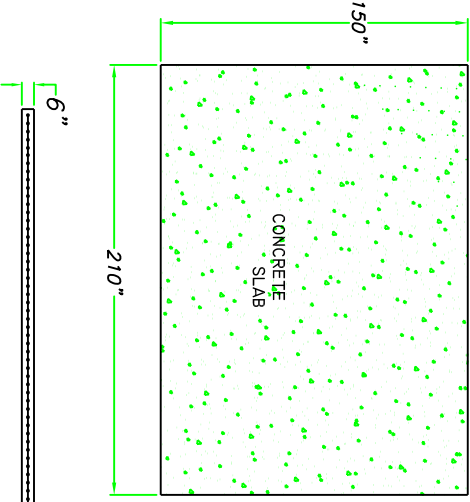
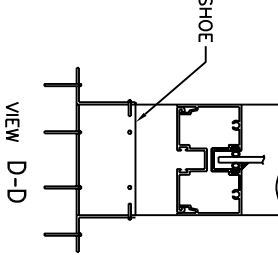
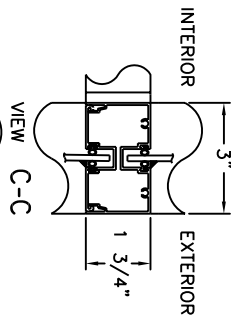
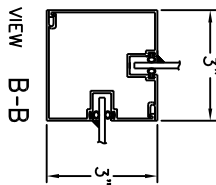
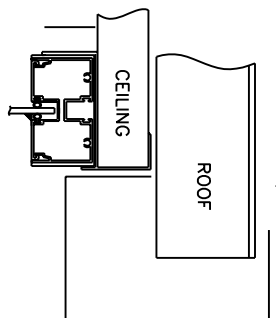


WALL SECTION DETAIL



ANCHOR SHOE

Notice - Austin Mohawk & Co., Inc. claims proprietary rights in the information disclosed on this drawing. It is issued in confidence for engineering information only and may not be used, in whole or in part, to manufacture anything whether or not shown herein, reproduced or disclosed to anyone without direct written permission from Austin Mohawk & Co., Inc.

STANDARD ALUMINUM SHELTER

12' x 16'



AUSTIN MOHAWK & CO., INC.
2175 BEECHGROVE PLACE
UTICA, NY 13501
PHONE: 315.793.3000
TOLL FREE: 1.800.765.3110
FAX: 315.793.9370
WEBSITE: www.austinhawk.com
E-mail: info@austinhawk.com

TITLE:	12' x 16' ALUMINUM SHELTER
JOB NO.:	Quote # XXX
LOCATION:	TBD
MOD. NO.:	ALS1216G30
COLOR:	Quaker Bronze
DATE:	XXXX
DRAWN BY:	XXXX
APPROVED BY:	
SCALE:	1/4" = 1'
SHEET:	2 of 2

NOTE: CONCRETE SLAB DESIGN BY OTHERS-DIMENSIONS SHOWN ARE RECOMMENDED MIN. SIZES ONLY